

SUSTAIN™ LABEL

HANDBOOK



Stilling

SINCE 1949



Stilling A/S
Midtager 9,
DK-2605 Brøndby
CVR: 36474513
+45 4360 0063
Stilling@Stilling.dk

QUALITY
DRAPERY
HARDWARE
SINCE 1949





AP 1100S / Made from Hydro CIRCAL® aluminium with min. 75% recycled contents



A SUSTAINABILITY LABEL & A DESIGN PRINCIPLE

Our all encompassing goal is to be able to offer you the best in product design and functionality with as little negative impact on the world as possible. And it goes without saying that all our products are subject to strict criteria for quality and environmental footprint, but we are constantly looking for new technologies and methods that can ensure that we continuously minimize our footprint.

The SUSTAIN™ label is our way of showing you which of our products meet the highest criteria for responsibility throughout all phases of its life cycle; production, period of use and disposal.

PRODUCT CRITERIA FOR EARNING THE SUSTAIN™ LABEL

- 1 Must be produced from a minimum of 50% recycled material
- 2 Must be at least as durable as an equivalent conventional product
- 3 Must be composed of recyclable and separable materials
- 4 Must be produced and transported with minimized or otherwise improved energy consumption

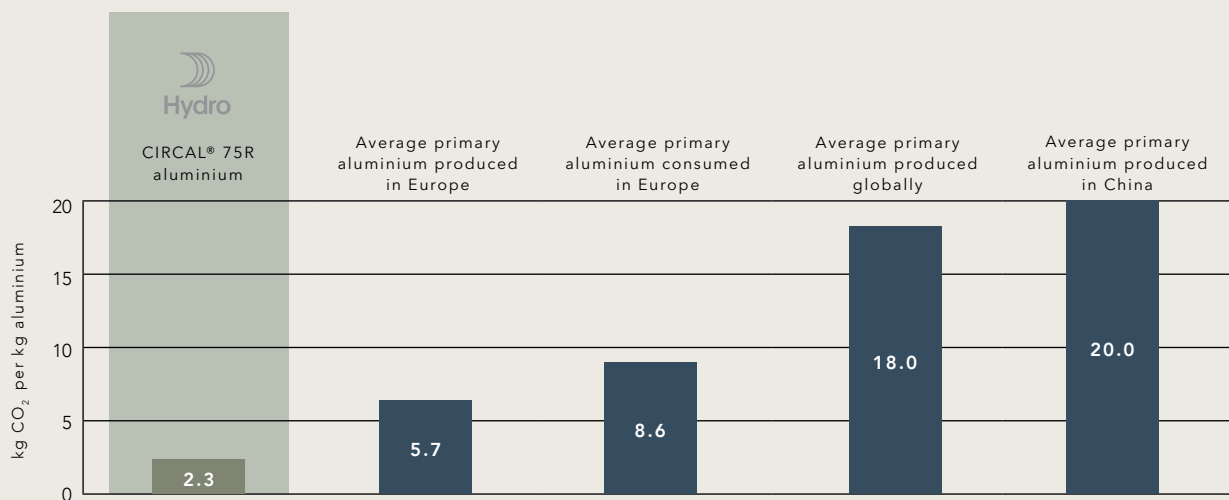
MADE WITH HYDRO CIRCAL® ALUMINIUM

Our SUSTAIN™ tracks are all made from a special recycled aluminium material called Hydro CIRCAL®.

Hydro CIRCAL® is composed from minimum 75% recycled post-consumer aluminium from scrap sources. This means that each of our SUSTAIN™ tracks started life as a different product, such as a an aluminium can or aluminium from consumer electronics.



Combined with renewable energy production, Hydro CIRCAL® aluminium has a significantly lower CO² footprint of 2.3 kg per kg. aluminium extruded - which in perspective is 73% less than that of the average primary aluminium consumed in Europe.*



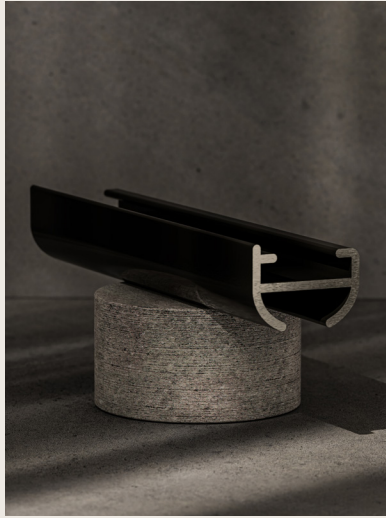
*Sources: IAI, EAA, Hydro



OUR SUSTAIN™ TRACKS



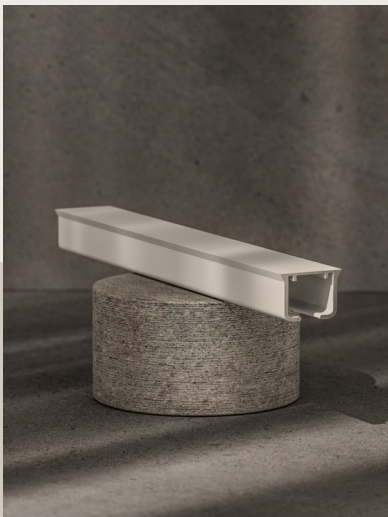
AP 0520S ●



AP 0689S ●



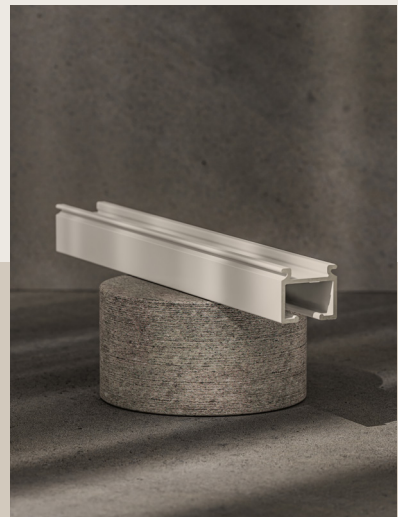
AP 1005S ●



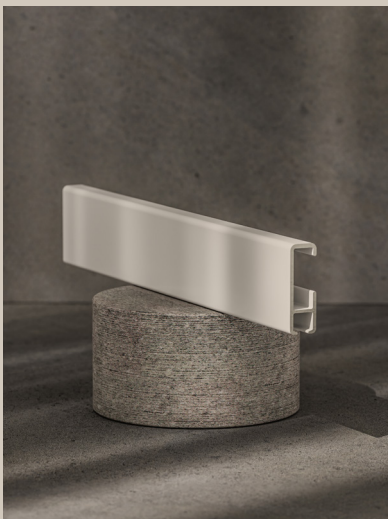
AP 1100S ●



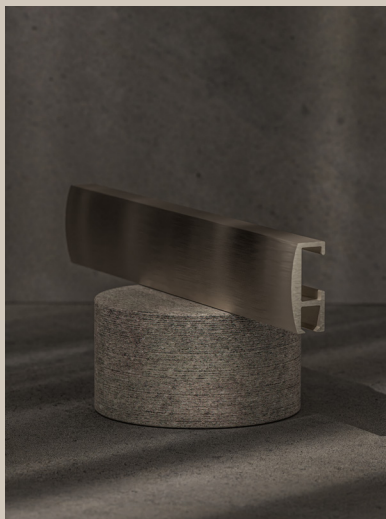
AP 1170S ●



AP 1200S ●

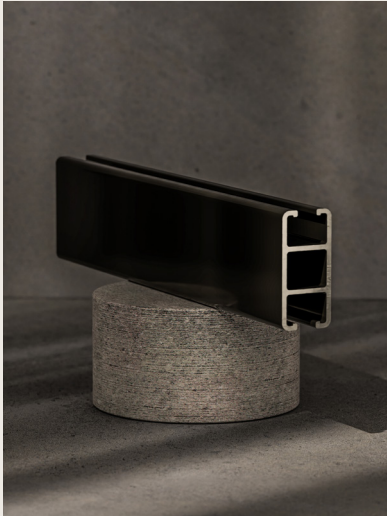


AP 2001S ●



AP 2005S ●

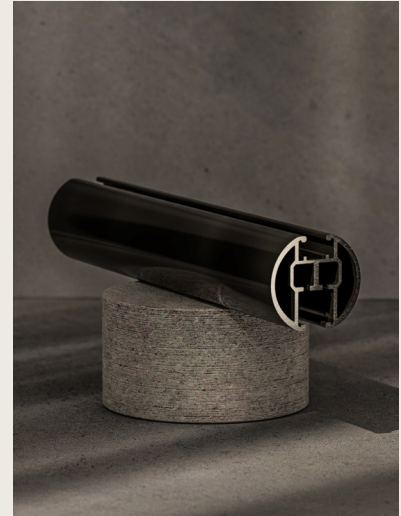
OUR SUSTAIN™ TRACKS



AP 5001S ●



AP 5408S ●



AP 9001S ●



AP 2668S ●



AP 2694S ●



AP 2690S ●

SPECIFICATIONS

Material	Hydro CIRCAL® 75R aluminium
Contents	Min. 75% recycled (end-of-life) / Max. 25% primary
Place of extrusion	Vetlanda, Sweden
Power source	Renewable energy only
Emissions from extrusion	2.3 kg. per. kg. aluminium
Certifications (material)	DNV GL, epd®

- In stock.
- Replacement in progress. Please inquire about availability.
- Only by order. Expect longer delivery time.



MAKING ACCESSORIES IN RECYCLED NYLON

Our SUSTAIN™ accessories are all made from recycled nylon produced in Denmark.

Durability and material health is a key aspect in the production of recycled plastic components. The recycled nylon used for our SUSTAIN™ accessories comes from a post-industrial source, and has been put through extensive testing by the Technological Institute of Denmark.

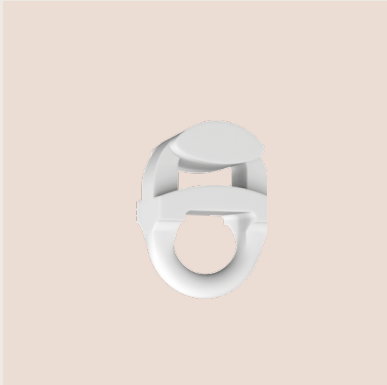


100% post-industrial recycled nylon

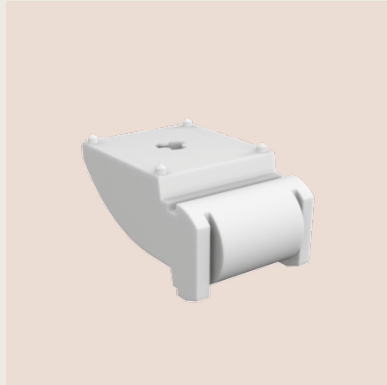
Artificial ageing by UV exposure has confirmed that the durability of the recycled nylon accessories is equivalent to that of the conventional versions.

Additionally, it is estimated that for every kg. of plastic we recycle into new products, we save the environment from between 2.1 and 2.6 kg. of CO₂.

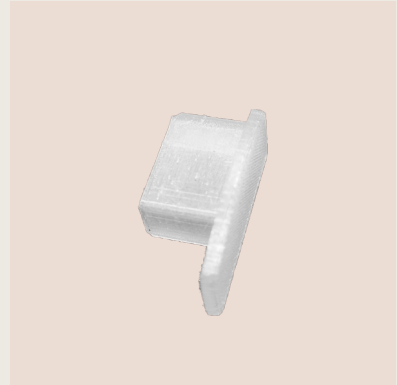
OUR SUSTAIN™ ACCESSORIES



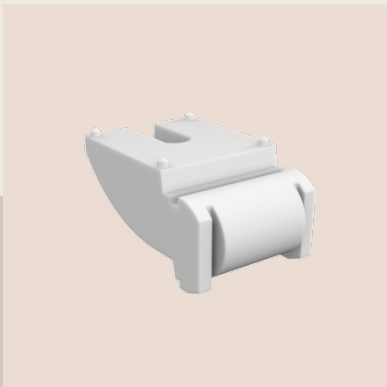
art. 4050S glider ●



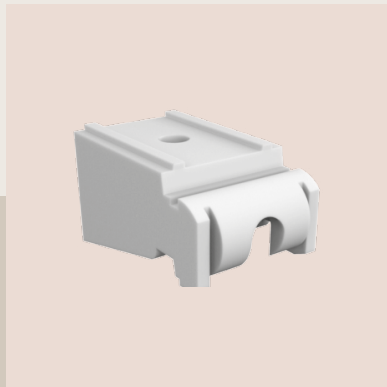
art. 4034S bracket ●



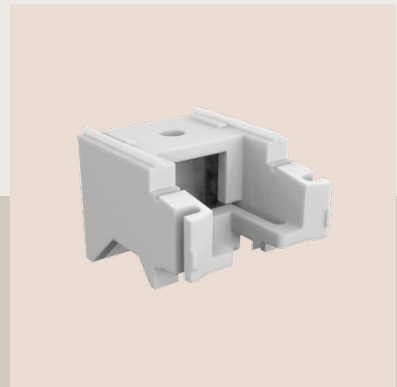
art. 4087S end cap ●



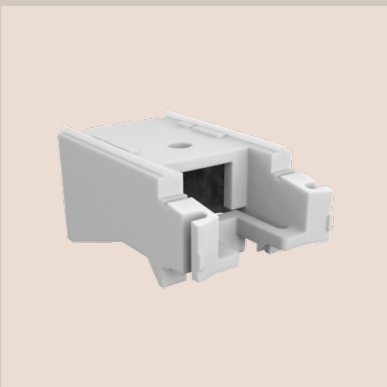
art. 4030S bracket ●



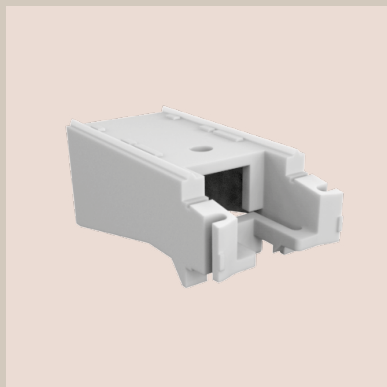
art. 4040S bracket ●



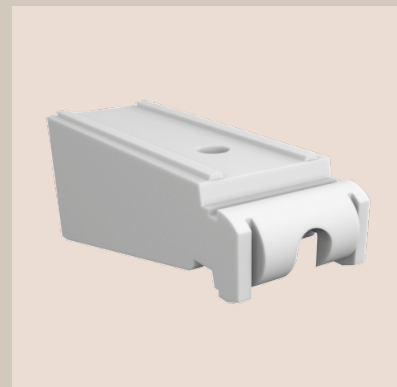
art. 4043S bracket ●



art. 4044S bracket ●



art. 4045S bracket ●



art. 4046S bracket ●

SPECIFICATIONS

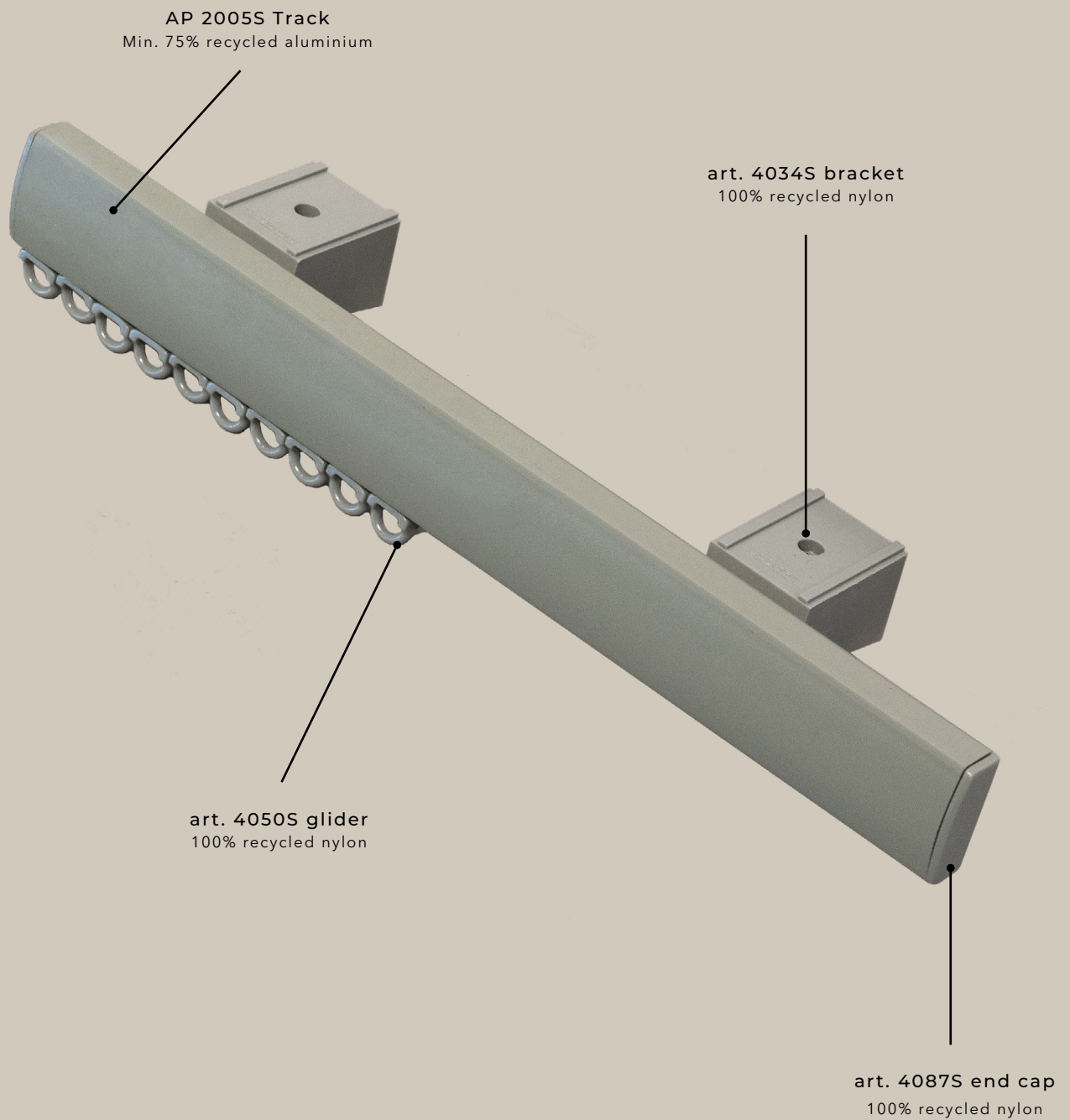
Material	Nylon
Contents	100% recycled
Place of extrusion	Lynge, Denmark
Power source	Renewable energy only

- In stock.
- Replacement in progress. Please inquire about availability.
- Only by order. Expect longer delivery time.



AP 2005S / Made from Hydro CIRCAL® aluminium with min. 75% recycled contents & accessories from 100% recycled nylon.

WELCOME OUR VERY FIRST COMPLETE SUSTAIN™ TRACK







Our AP 2001 curtain track was the first ever curtain track to be remastered with a predominant amount of recycled aluminium. Together with extruder Norsk Hydro, we found Hydro CIRCAL® 75R aluminium to be a perfect fit for curtain tracks, as the aluminium, which contains min. 75% recycled materials, is durable enough to be bent and milled to fit any architectural shape without snapping.



THE FIRST
CURTAIN TRACK
MADE WITH RECYCLED
ALUMINIUM

AP 2001S / Made from Hydro CIRCAL® aluminium
with min. 75% recycled contents

CONDITIONAL USE OF STILLING SUSTAIN™ LABEL

We're happy to share our Stilling SUSTAIN™ label with our partners for use in their marketing and communication purposes.

To protect the integrity of the SUSTAIN™ trademark and the high standards it represents, we do however ask that it is always represented together with the Stilling-brand and stylized as "Stilling SUSTAIN™"; not to mention only associated with products that have been given the label from our side.

Please contact us for acquiring our Stilling SUSTAIN™ logo-pack and full guidelines for use.





Stilling A/S
Midtager 9,
DK-2605 Brøndby
CVR: 36474513
+45 4360 0063
Stilling@Stilling.dk

۹